

4Xe Touring Series

Features

- 2 Models: 4X1200 and 4X2000
- Touring/event/mobile version: e-version
Version for fixed installations: i-version
- Output power: 4x1200/2000 watts @ 2 ohms in only 2 RU each
- Absolutely reliable steady-state performance
- Excellent sound and superior impulse response
- Impedance measurement
- Selectable Clip Limiter (hard/soft)
- 4-channel Dante™ inputs (optional)
- SXL II Data Port (RS485) for monitoring and control of up to 16 channels via Bittner SXL II Control Interface
- High tech SMT design
- Two separate stereo amplifiers
- Protection Circuits: DC, LF, HF, Thermal, Short Circuit, Current Limiter, 3 ms Muting Delay
- XLR inputs and SPEAKON outputs (e-version)
- High-End switched power supply with PFC
- LED indicators for SIGNAL, CLIP, PROTECT, POWER
- Temperature controlled, variable speed low noise fans
- Digital wear-free Volume Controls (can be operated manually)
- Selectable Stereo/Bridged Mode
- Softstart
- Sequential Remote Power On
- 2 Alive Contacts
- 3 Years Warranty

Connectors and Controls

Audio Inputs:

- analog: XLR / mono jack connectors (Neutrik Combo)
- digital: RJ-45 (Dante™; optional)

Loudspeaker Outputs:

- SPEAKON

Volume Controls:

- 4 digital potentiometers with 16 steps each:
-90, -78, -66, -54, -42, -30, -24, -18, -15, -12, -9, -6, -3, -2, -1, 0 dB

Remote Power On:

- Contacts 7-10 of a 10-pin PHOENIX connector.
On: +12V, Off: -12V. Delay of incoming voltage for sequential amps in a daisy-chain.

Alive Contacts:

- Contact 1-6 of a 10-pin PHOENIX connector.
1 contact for 2 channels each (1+2, 3+4).

DIP Switch with 8 Switches:

- Switch 1/2: Address for SXL-connection.
- Switch 3: Dante™ On/Off
- Switch 4/5: Limiter On/Off, Hard/Soft
- Switch 6: BRIDGE On/Off for channel 1/2
- Switch 7: BRIDGE On/Off for channel 3/4
- Switch 8: n.c.

SXL Dataport:

- RS-485, 2 RJ-45 jacks (8-pin) paralleled,
1 LED TX / RX

Power:

- Power switch, fuse and powerCON connector

All Specifications Subject to Change without Notice.
Errors and omissions excepted.

All Specs under www.bittner-audio.com

DECLARATION OF CONFORMITY

We declare that this product is in accordance with EMC regulation 89/336/EEC and meets the requirements of the product norm EN-55013 (emission), and EN-55020 (immision).

BITTNER AUDIO

Bittner 4Xe.

Groundbreaking technology for event and mobile applications.

Much more than just power!

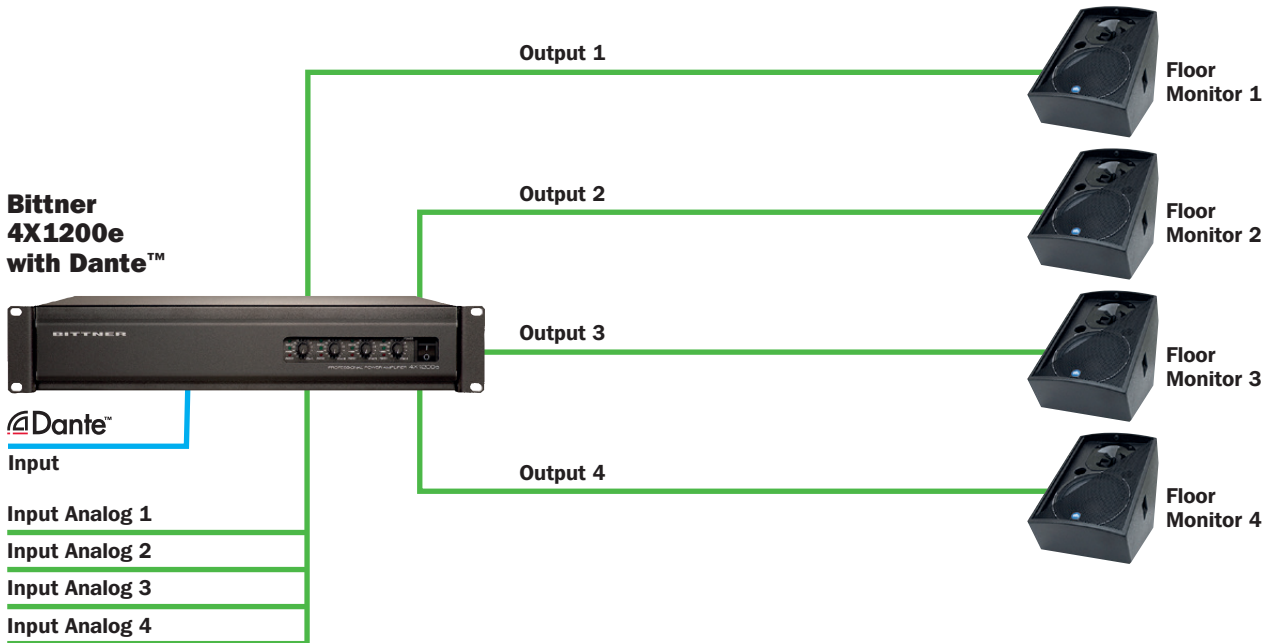
4x superior sound and solid durability, combined with amazing and leading technology.

**Audio networking via Dante™.
Control via Ethernet (with SXL II) –
worldwide diagnostics and maintenance via the Internet.**



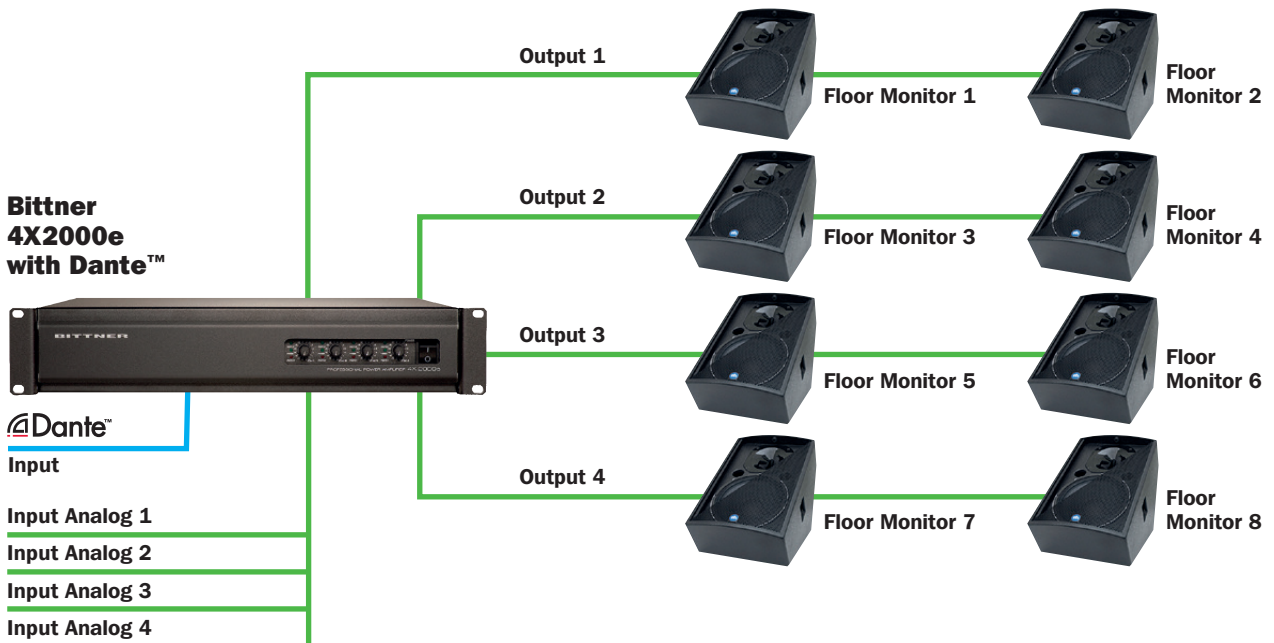
4 Separate Channels and 4 Floor Monitors

Example: Right Section



4 Separate Channels and 8 Floor Monitors

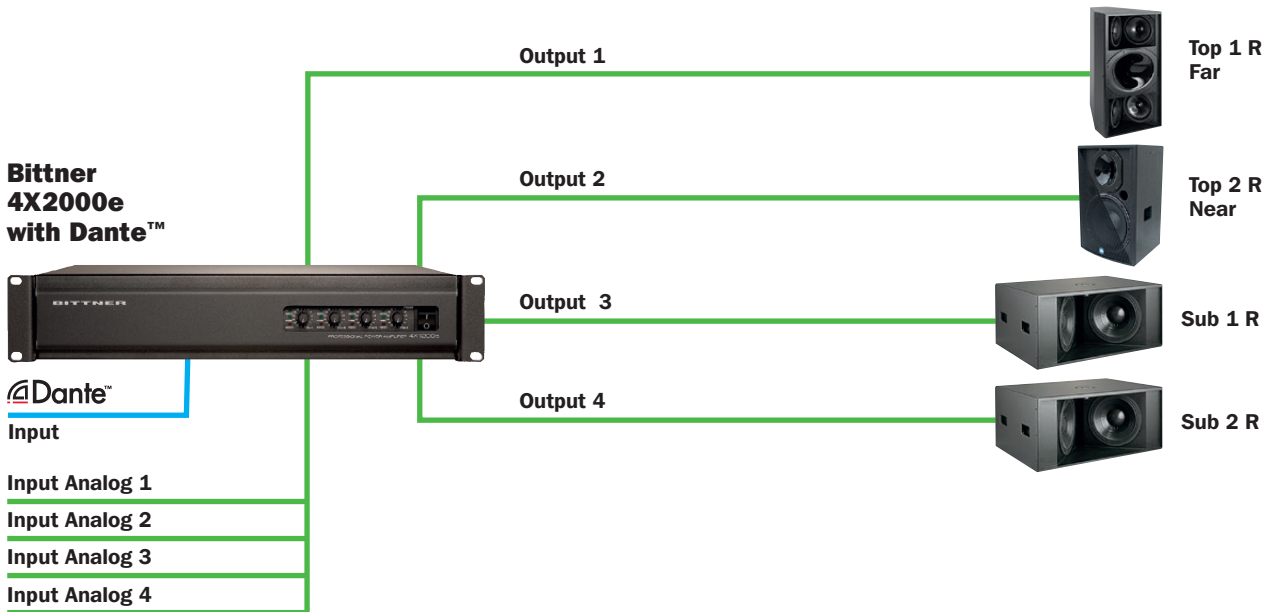
Example: Right Section



 Dante™
Analog Audio

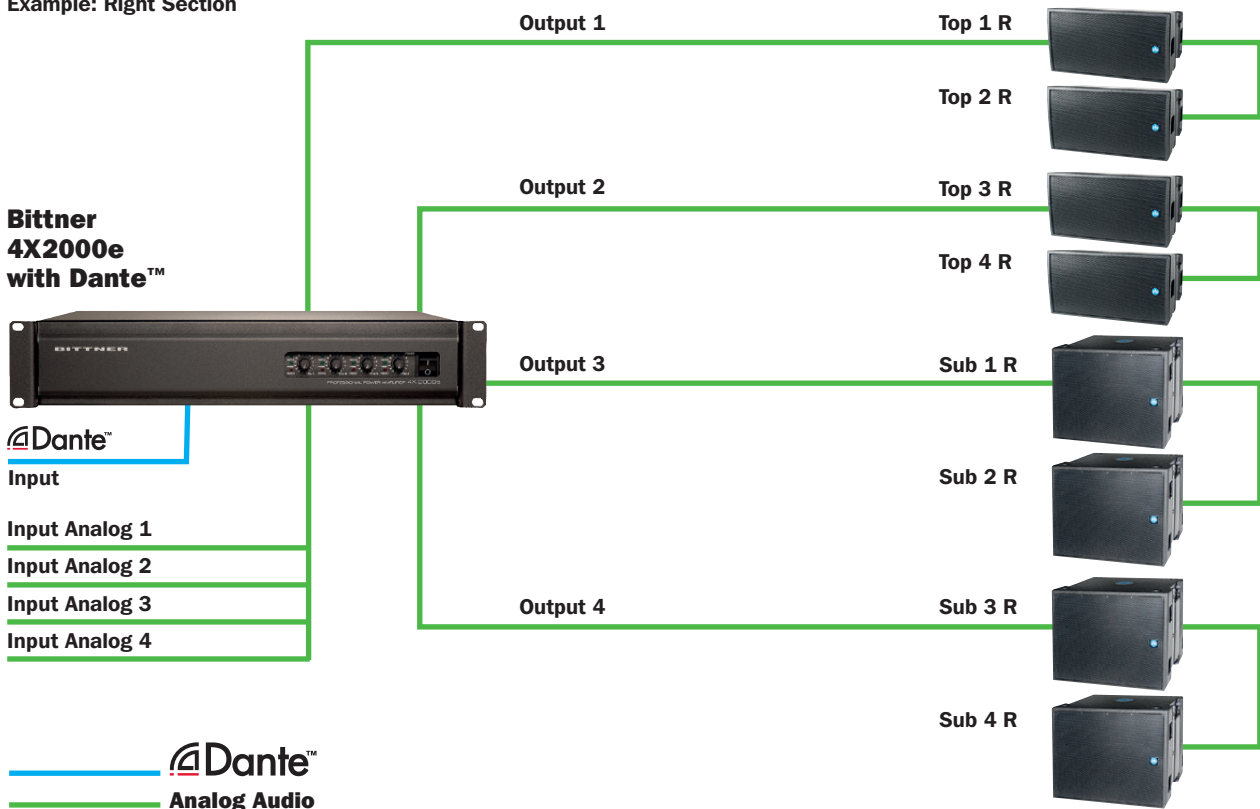
Application Example PA: 2 Tops und 2 Subs

Each Channel is Separately Controlled and Processed
Example: Right Section



Application Example PA: 4 Tops und 4 Subs

Control of Two Loudspeakers per Channel
Example: Right Section



State-of-the-Art Speaker Management and Dante™ Networking

Example: Right Section (16 Separate Channels)

Lectrosonics DNT0212, Network Management

